

INSTALLATION INSTRUCTIONS

GENERAL INFORMATION

The LYNXRCHKIT rechargeable battery kit is designed to replace the rechargeable battery installed in the LYNXR.

When battery replacement is required, perform the following steps.

STEP	ACTION
1.	Unplug the transformer from the wall outlet and open the LYNX-R cover.
2.	Remove the Phillips-head screw securing the battery drawer. (see Figure 1)
3.	Remove the battery drawer.
4.	Install the LYNXRCHKIT battery drawer. (see Figure 2) Note: Do not use alkaline batteries.
5.	Install the Phillips-head screw and close cover.
6.	Plug the transformer into a 24-hour, 110VAC unswitched outlet.
7.	Rechargeable batteries may take up to 48-hours to fully charge. The "LOW BAT" message should clear within four hours or by entering Test Mode.

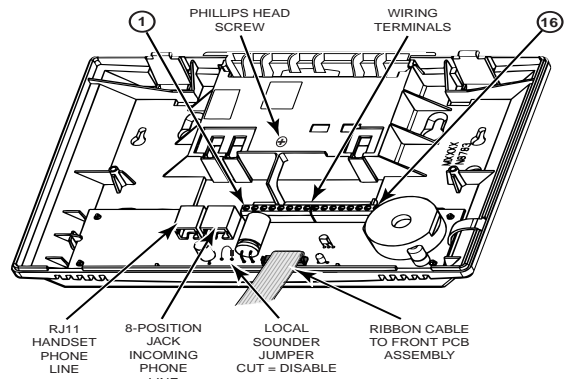


Figure 1

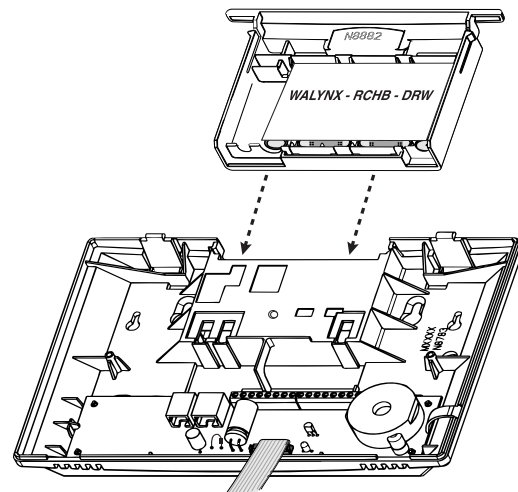


Figure 2



Ensure the LYNX-R cover is closed prior to applying AC power.